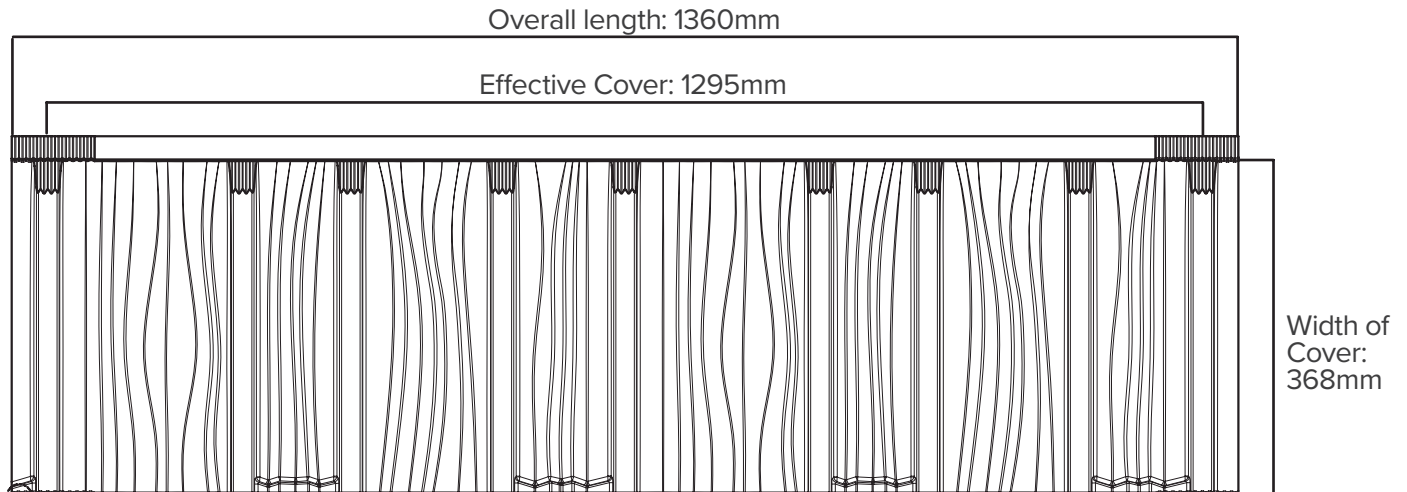


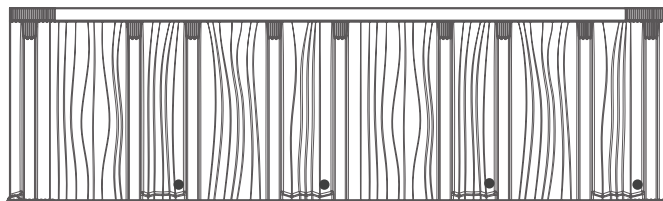
SHAKE TILE

Metalcraft Roofing produces the Shake Metal Tile profile which is available in both pre-painted COLORSTEEL® and stone chip finishes. These Tiles complemented by a range of flashing and trim options provide a quality finish to any dwelling.

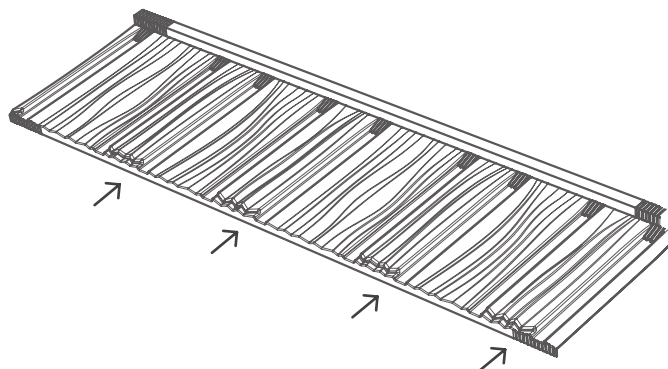


SHAKE TILE FIXING DETAILS

Bottom Course pattern - 50 x 2.8 coloured with neoprene washer seal



Main roof area pattern - 50 x 2.8 Black or Galv nails



- Gauge: 0.39 G300
- Tiles /m²: 2.21
- Available in pre-painted COLORSTEEL® or Chip Coat Finish
- Weight (painted): 2.1kg (chip coated): 3.3kg
- 15° minimum pitch

Available from all Branches