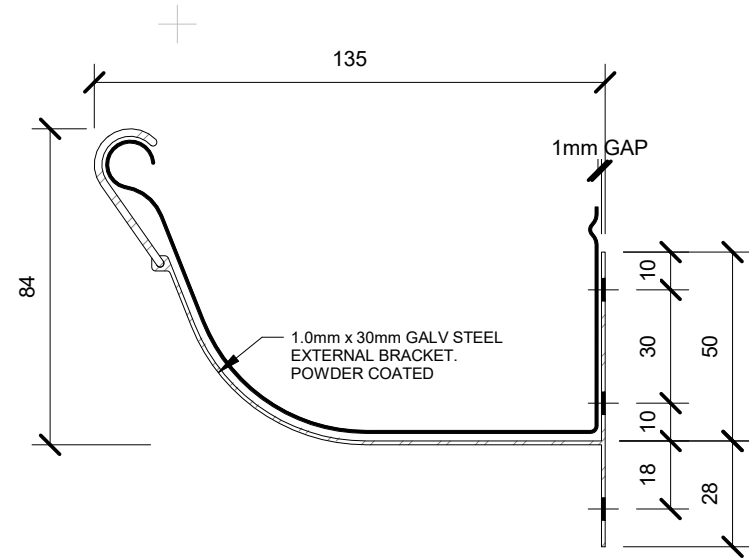
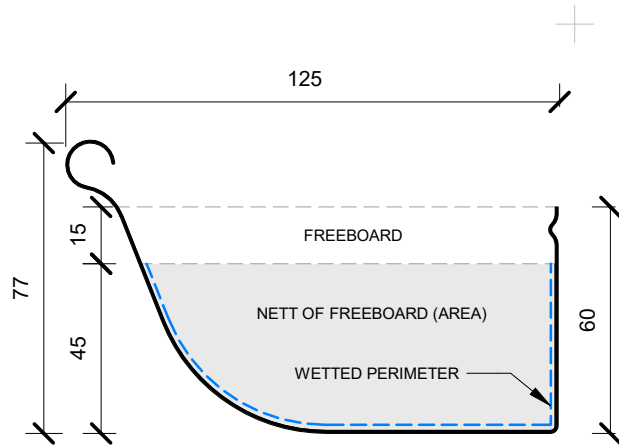


GUTTERS AND DOWNPIPES

GUTTERS AND DOWNPIPES

DETAIL LIST

		<u>Revision</u>	<u>Date</u>
00	COVER SHEET		
01	125 Quarter Round Gutter	1.0	JULY 2023
02	Colonial Quad Gutter	1.0	JULY 2023
03	Quadline Gutter	1.0	JULY 2023
04	Half Round Gutter	1.0	JULY 2023
05	Squareline	1.0	JULY 2023
06	150 Quarter Round	1.0	JULY 2023
07	Box Gutter 115	1.0	JULY 2023
08	Box Gutter 125	1.0	JULY 2023
09	Box Gutter 175	1.0	JULY 2023
10	Box Gutter 300	1.0	JULY 2023
11	Downpipe	1.0	JULY 2023
12	Metalline Fascia 135	1.0	JULY 2023
13	Metalline Fascia 155	1.0	JULY 2023
14	Metalline Fascia 185	1.0	JULY 2023



TOTAL CROSS SECTIONAL AREA	5958mm ²
NETT OF FREEBOARD	4264mm ²
WETTED PERIMETER	181mm

TOTAL CROSS SECTIONAL AREA OF GUTTER ONLY TO BE USED WHEN INSTALLED WITH OVERFLOW (SEE TABLE)

OVERFLOW WITH SOFFIT =

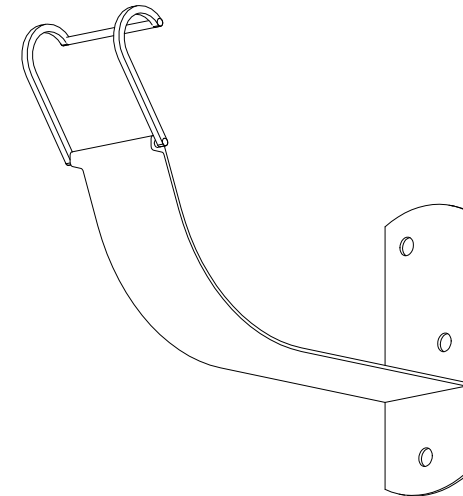
BACK OF EXTERNAL GUTTER NEEDS TO BE POSITIONED 10mm BELOW TOP OF FASCIA HEIGHT AND HAVE A GAP OF AT LEAST 3mm.

OVERFLOW WITH NO SOFFIT OVERHANG =

BACK OF EXTERNAL GUTTER NEEDS TO BE POSITIONED 10mm BELOW TOP OF FASCIA HEIGHT AND HAVE A GAP OF AT LEAST 10mm.

AS PER SECTION 5.3.2.3B OF THE NZ MRM COP.

MANUFACTURED IN PALMERSTON NORTH



3D GUTTER BRACKET

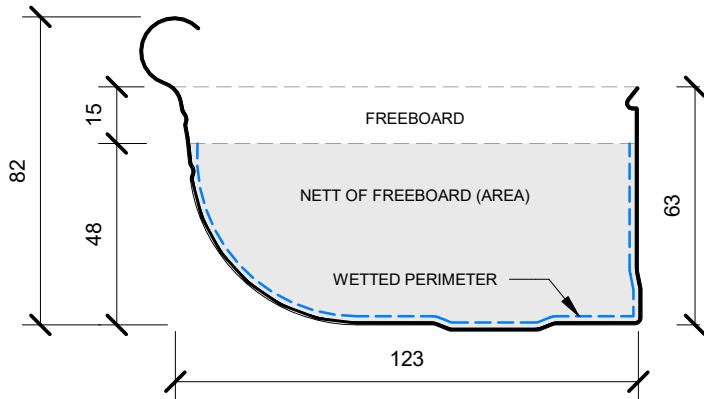
BRACKET SPACINGS 750MM MAX EXCEPT FOR SNOW LOAD AREAS = 600MM MAX.

NOTES:

- ALL DIMENSIONS ARE NOMINAL AND MAY VARY WITH MATERIAL

- *THE OVERFLOW SHOULD HAVE ADEQUATE CAPACITY. THE OVERFLOW OF THE GUTTER NEEDS TO BE CONSIDERED WHEN DESIGNING AND INSTALLING THE METALCRAFT ROOFING GUTTER*

DISCLAIMER:
All details are to be used for indicative purposes only and the designer should consult both the MRM code of practice version 3.0 / 2022, E2 and all other relevant building codes
Details of the supporting mechanisms are indicative only. Compliance of the supporting mechanisms is the responsibility of the designer. Construction detail can vary for wall cladding. The underlay is detailed as a single line for simplicity and is indicative only. Building paper type and method of installation should comply with underlay manufacturers recommendations and NZBC regulations.



TOTAL CROSS SECTIONAL AREA	6967mm ²
NETT OF FREEBOARD	5186mm ²
WETTED PERIMETER	191mm

TOTAL CROSS SECTIONAL AREA OF GUTTER ONLY TO BE USED WHEN INSTALLED WITH OVERFLOW (SEE TABLE)

MANUFACTURED IN PALMERSTON NORTH, HAMILTON, CROMWELL, CHRISTCHURCH, NEW PLYMOUTH

OVERFLOW WITH SOFFIT =

BACK OF EXTERNAL GUTTER NEEDS TO BE POSITIONED 10mm BELOW TOP OF FASCIA HEIGHT AND HAVE A GAP OF AT LEAST 3mm.

OVERFLOW WITH NO SOFFIT OVERHANG =

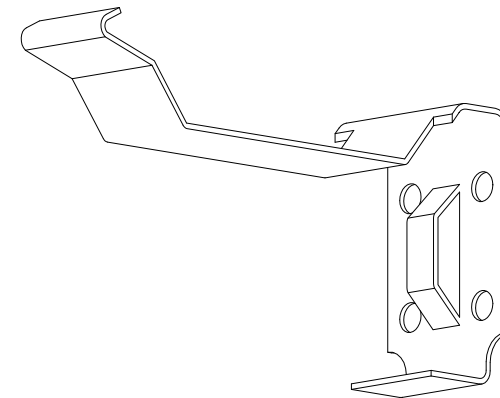
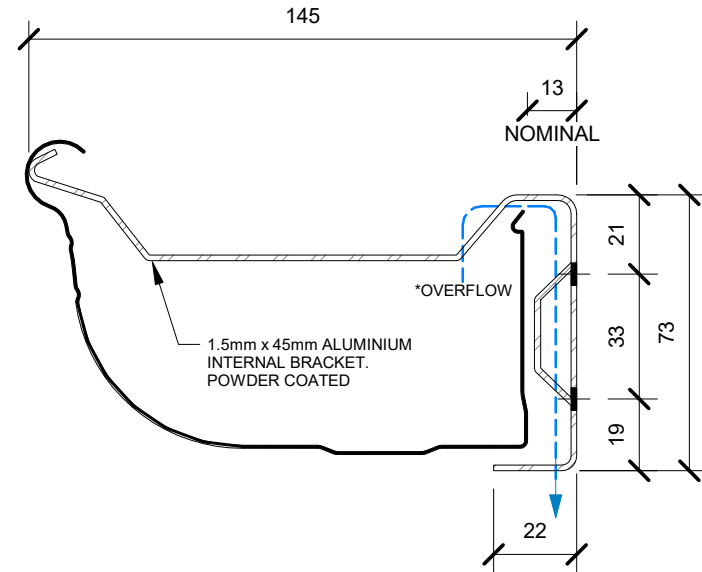
BACK OF EXTERNAL GUTTER NEEDS TO BE POSITIONED 10mm BELOW TOP OF FASCIA HEIGHT AND HAVE A GAP OF AT LEAST 10mm.

AS PER SECTION 5.3.2.3B OF THE NZ MRM COP.

NOTES:

- ALL DIMENSIONS ARE NOMINAL AND MAY VARY WITH MATERIAL

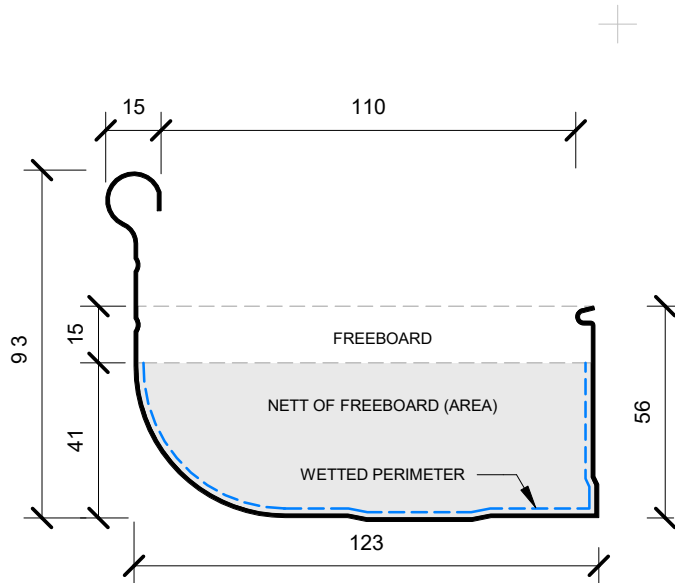
- *THE OVERFLOW SHOULD HAVE ADEQUATE CAPACITY. THE OVERFLOW OF THE GUTTER NEEDS TO BE CONSIDERED WHEN DESIGNING AND INSTALLING THE METALCRAFT ROOFING GUTTER*



3D GUTTER BRACKET

BRACKET SPACINGS 750MM MAX EXCEPT FOR SNOW LOAD AREAS = 600MM MAX.

DISCLAIMER:
All details are to be used for indicative purposes only and the designer should consult both the MRM code of practice version 3.0 / 2022, E2 and all other relevant building codes
Details of the supporting mechanisms are indicative only. Compliance of the supporting mechanisms is the responsibility of the designer. Construction detail can vary for wall cladding. The underlay is detailed as a single line for simplicity and is indicative only. Building paper type and method of installation should comply with underlay manufacturers recommendations and NZBC regulations.



TOTAL CROSS SECTIONAL AREA	6290mm ²
NETT OF FREEBOARD	4514mm ²
WETTED PERIMETER	180mm

TOTAL CROSS SECTIONAL AREA OF GUTTER ONLY TO BE USED WHEN INSTALLED WITH OVERFLOW (SEE TABLE)

MANUFACTURED IN AUCKLAND

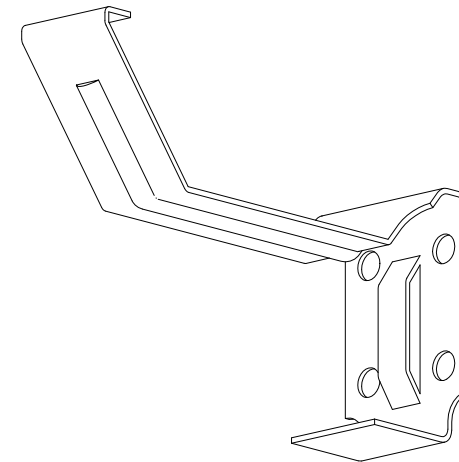
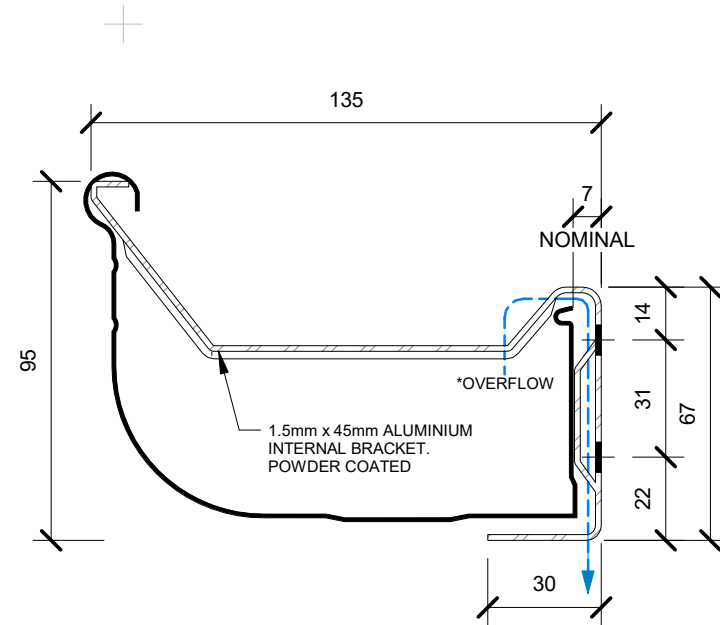
OVERFLOW WITH SOFFIT =

BACK OF EXTERNAL GUTTER NEEDS TO BE POSITIONED 10mm BELOW TOP OF FASCIA HEIGHT AND HAVE A GAP OF AT LEAST 3mm.

OVERFLOW WITH NO SOFFIT OVERHANG =

BACK OF EXTERNAL GUTTER NEEDS TO BE POSITIONED 10mm BELOW TOP OF FASCIA HEIGHT AND HAVE A GAP OF AT LEAST 10mm.

AS PER SECTION 5.3.2.3B OF THE NZ MRM COP.



3D GUTTER BRACKET

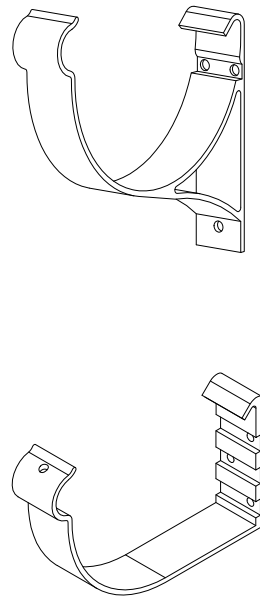
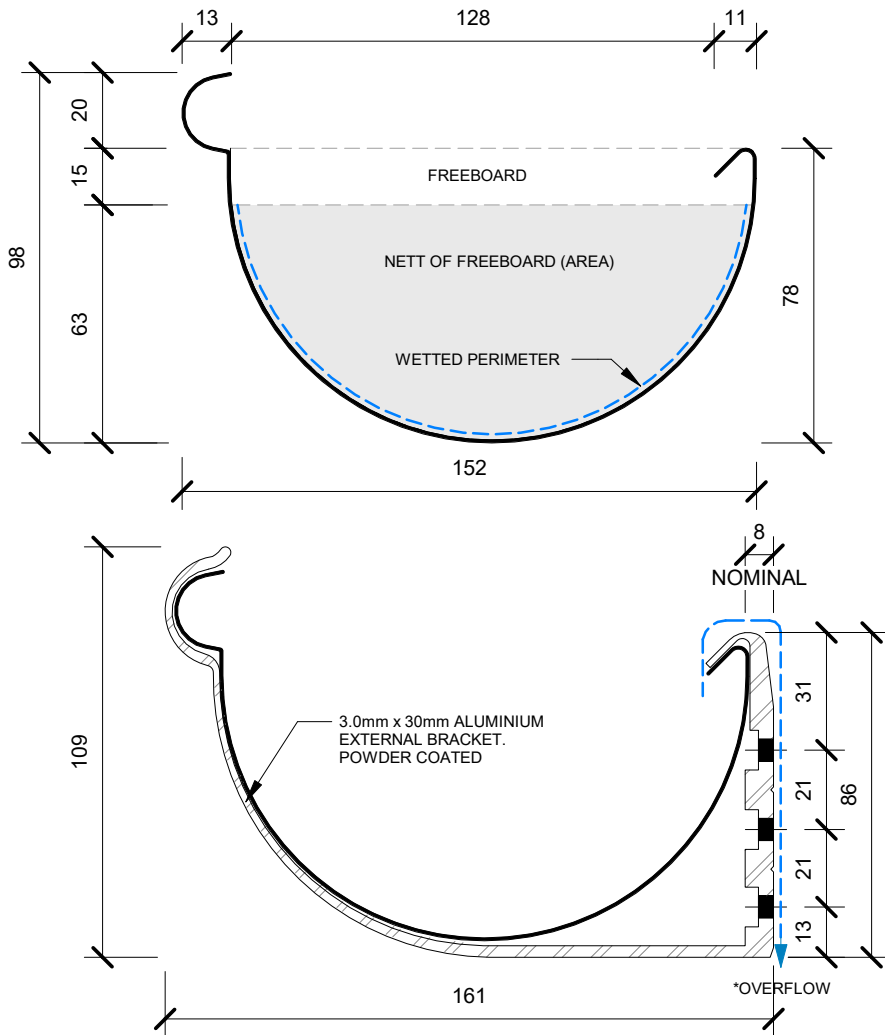
BRACKET SPACINGS 750MM MAX EXCEPT FOR SNOW LOAD AREAS = 600MM MAX.

NOTES:

- ALL DIMENSIONS ARE NOMINAL AND MAY VARY WITH MATERIAL

- *THE OVERFLOW SHOULD HAVE ADEQUATE CAPACITY. THE OVERFLOW OF THE GUTTER NEEDS TO BE CONSIDERED WHEN DESIGNING AND INSTALLING THE METALCRAFT ROOFING GUTTER*

DISCLAIMER:
 All details are to be used for indicative purposes only and the designer should consult both the MRM code of practice version 3.0 / 2022, E2 and all other relevant building codes
 Details of the supporting mechanisms are indicative only. Compliance of the supporting mechanisms is the responsibility of the designer. Construction detail can vary for wall cladding. The underlay is detailed as a single line for simplicity and is indicative only. Building paper type and method of installation should comply with underlay manufacturers recommendations and NZBC regulations.

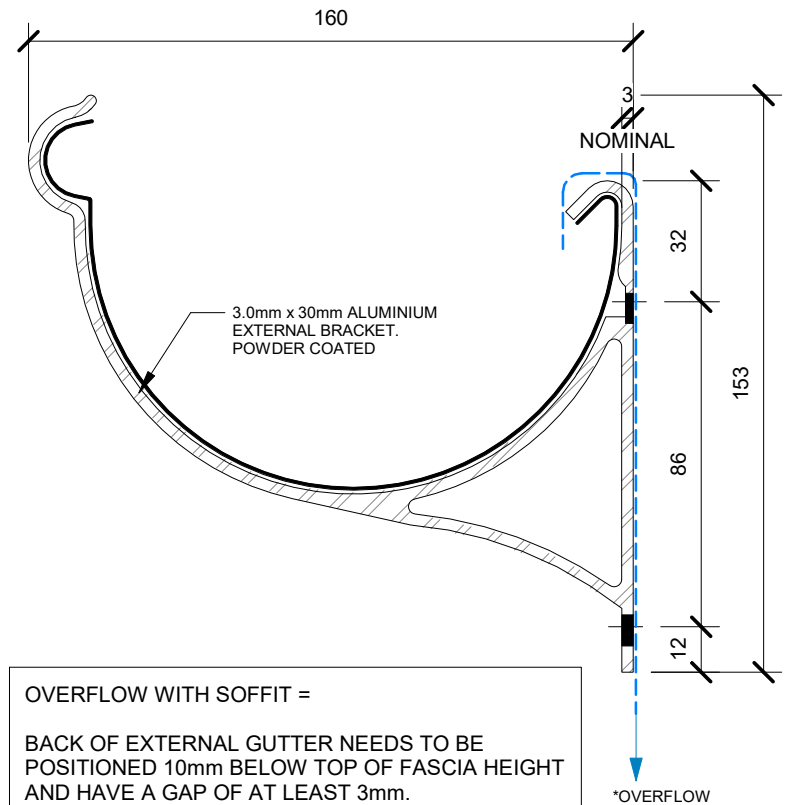


3D GUTTER BRACKET

BRACKET SPACINGS 750MM MAX EXCEPT FOR SNOW LOAD AREAS = 600MM MAX.

TOTAL CROSS SECTIONAL AREA	8627mm ²
NETT OF FREEBOARD	6554mm ²
WETTED PERIMETER	199mm

TOTAL CROSS SECTIONAL AREA OF GUTTER ONLY TO BE USED WHEN INSTALLED WITH OVERFLOW (SEE TABLE)



OVERFLOW WITH SOFFIT =

BACK OF EXTERNAL GUTTER NEEDS TO BE POSITIONED 10mm BELOW TOP OF FASCIA HEIGHT AND HAVE A GAP OF AT LEAST 3mm.

OVERFLOW WITH NO SOFFIT OVERHANG =

BACK OF EXTERNAL GUTTER NEEDS TO BE POSITIONED 10mm BELOW TOP OF FASCIA HEIGHT AND HAVE A GAP OF AT LEAST 10mm.

AS PER SECTION 5.3.2.3B OF THE NZ MRM COP.

MANUFACTURED IN CHRISTCHURCH

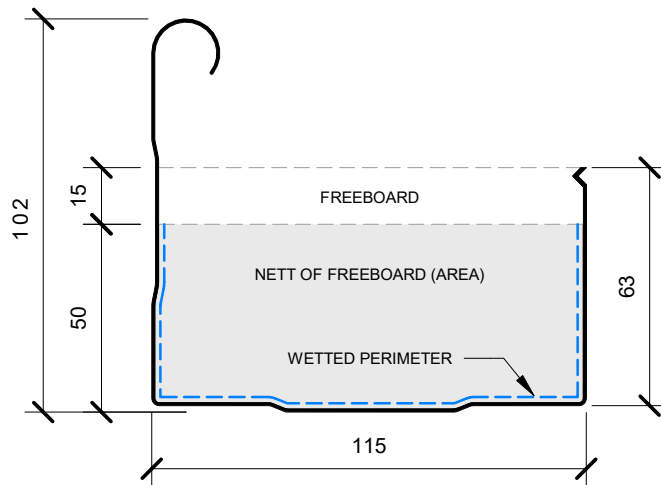
NOTES:

- ALL DIMENSIONS ARE NOMINAL AND MAY VARY WITH MATERIAL

- *THE OVERFLOW SHOULD HAVE ADEQUATE CAPACITY. THE OVERFLOW OF THE GUTTER NEEDS TO BE CONSIDERED WHEN DESIGNING AND INSTALLING THE METALCRAFT ROOFING GUTTER*

DISCLAIMER:

All details are to be used for indicative purposes only and the designer should consult both the MRM code of practice version 3.0 / 2022, E2 and all other relevant building codes. Details of the supporting mechanisms are indicative only. Compliance of the supporting mechanisms is the responsibility of the designer. Construction detail can vary for wall cladding. The underlay is detailed as a single line for simplicity and is indicative only. Building paper type and method of installation should comply with underlay manufacturers recommendations and NZBC regulations.



TOTAL CROSS SECTIONAL AREA	7245mm ²
NETT OF FREEBOARD	5520mm ²
WETTED PERIMETER	211mm

TOTAL CROSS SECTIONAL AREA OF GUTTER ONLY TO BE USED WHEN INSTALLED WITH OVERFLOW (SEE TABLE)

OVERFLOW WITH SOFFIT =

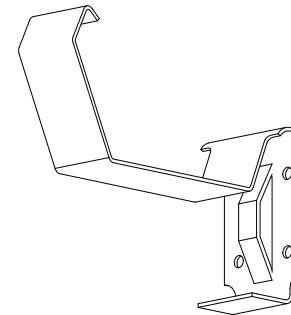
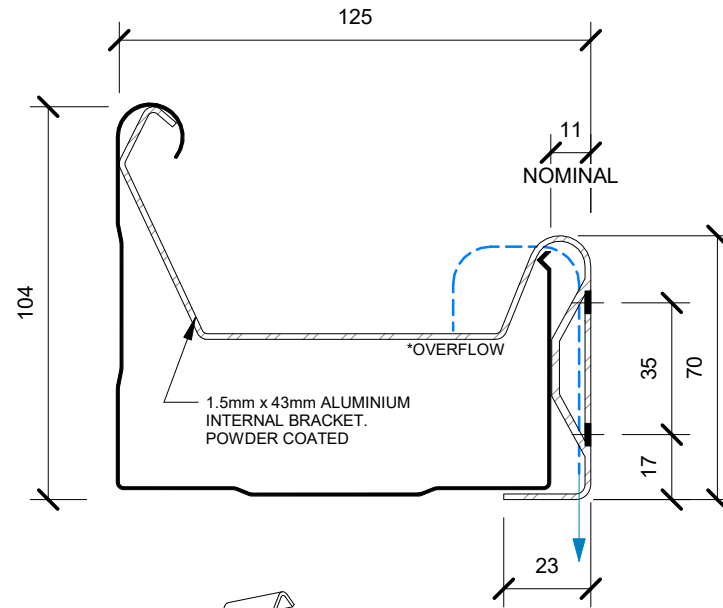
BACK OF EXTERNAL GUTTER NEEDS TO BE POSITIONED 10mm BELOW TOP OF FASCIA HEIGHT AND HAVE A GAP OF AT LEAST 3mm.

OVERFLOW WITH NO SOFFIT OVERHANG =

BACK OF EXTERNAL GUTTER NEEDS TO BE POSITIONED 10mm BELOW TOP OF FASCIA HEIGHT AND HAVE A GAP OF AT LEAST 10mm.

AS PER SECTION 5.3.2.3B OF THE NZ MRM COP.

MANUFACTURED IN CHRISTCHURCH



3D GUTTER BRACKET

BRACKET SPACINGS 750MM MAX EXCEPT FOR SNOW LOAD AREAS = 600MM MAX.

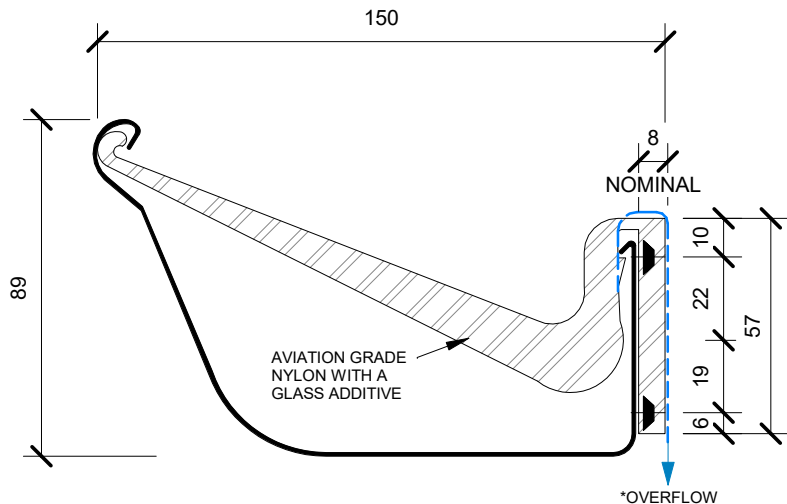
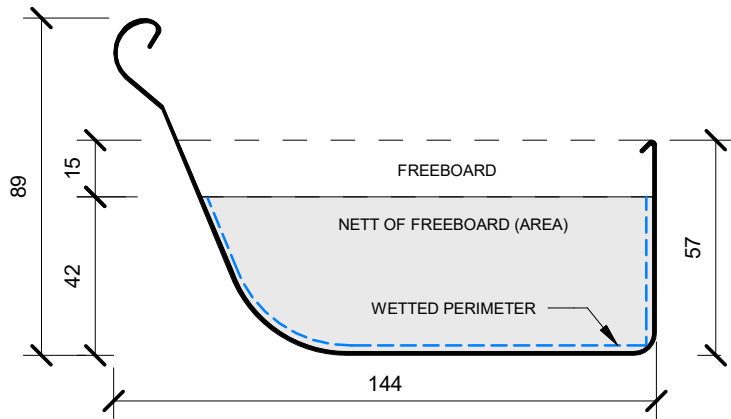
NOTES:

- ALL DIMENSIONS ARE NOMINAL AND MAY VARY WITH MATERIAL

- *THE OVERFLOW SHOULD HAVE ADEQUATE CAPACITY. THE OVERFLOW OF THE GUTTER NEEDS TO BE CONSIDERED WHEN DESIGNING AND INSTALLING THE METALCRAFT ROOFING GUTTER*

DISCLAIMER:

All details are to be used for indicative purposes only and the designer should consult both the MRM code of practice version 3.0 / 2022, E2 and all other relevant building codes. Details of the supporting mechanisms are indicative only. Compliance of the supporting mechanisms is the responsibility of the designer. Construction detail can vary for wall cladding. The underlay is detailed as a single line for simplicity and is indicative only. Building paper type and method of installation should comply with underlay manufacturers recommendations and NZBC regulations.



MANUFACTURED IN TAURANGA

OVERFLOW WITH SOFFIT =

BACK OF EXTERNAL GUTTER NEEDS TO BE POSITIONED 10mm BELOW TOP OF FASCIA HEIGHT AND HAVE A GAP OF AT LEAST 3mm.

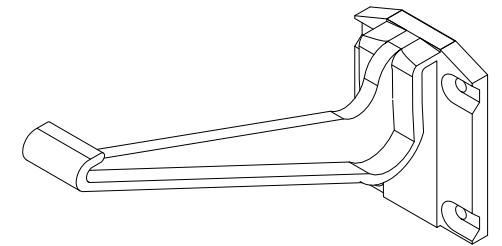
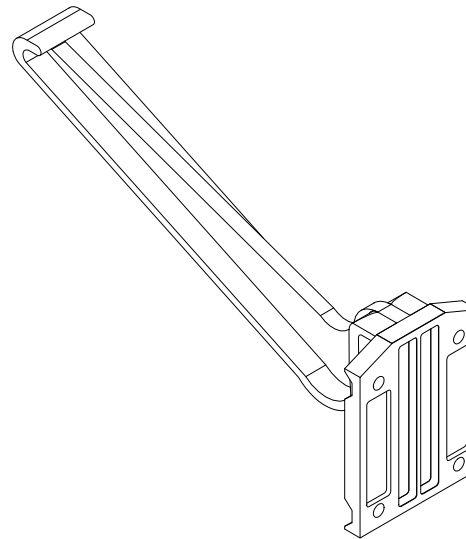
OVERFLOW WITH NO SOFFIT OVERHANG =

BACK OF EXTERNAL GUTTER NEEDS TO BE POSITIONED 10mm BELOW TOP OF FASCIA HEIGHT AND HAVE A GAP OF AT LEAST 10mm.

AS PER SECTION 5.3.2.3B OF THE NZ MRM COP.

TOTAL CROSS SECTIONAL AREA	6278mm ²
NETT OF FREEBOARD	4443mm ²
WETTED PERIMETER	180mm

TOTAL CROSS SECTIONAL AREA OF GUTTER ONLY TO BE USED WHEN INSTALLED WITH OVERFLOW (SEE TABLE)



3D GUTTER BRACKET

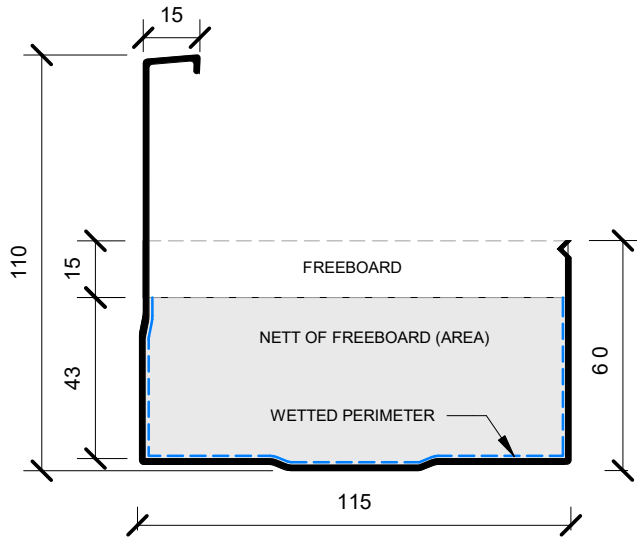
BRACKET SPACINGS 750MM MAX EXCEPT FOR SNOW LOAD AREAS = 600MM MAX.

NOTES:

- ALL DIMENSIONS ARE NOMINAL AND MAY VARY WITH MATERIAL

- *THE OVERFLOW SHOULD HAVE ADEQUATE CAPACITY. THE OVERFLOW OF THE GUTTER NEEDS TO BE CONSIDERED WHEN DESIGNING AND INSTALLING THE METALCRAFT ROOFING GUTTER*

DISCLAIMER:
All details are to be used for indicative purposes only and the designer should consult both the MRM code of practice version 3.0 / 2022, E2 and all other relevant building codes. Details of the supporting mechanisms are indicative only. Compliance of the supporting mechanisms is the responsibility of the designer. Construction detail can vary for wall cladding. The underlay is detailed as a single line for simplicity and is indicative only. Building paper type and method of installation should comply with underlay manufacturers recommendations and NZBC regulations.



OVERFLOW WITH SOFFIT =

BACK OF EXTERNAL GUTTER NEEDS TO BE POSITIONED 10mm BELOW TOP OF FASCIA HEIGHT AND HAVE A GAP OF AT LEAST 3mm.

OVERFLOW WITH NO SOFFIT OVERHANG =

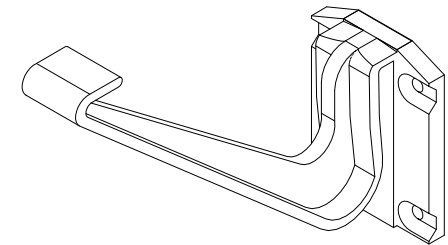
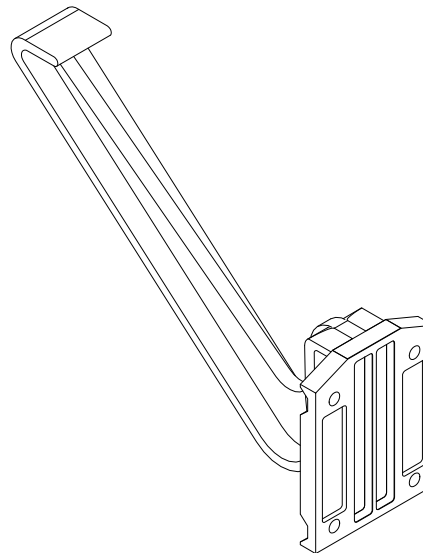
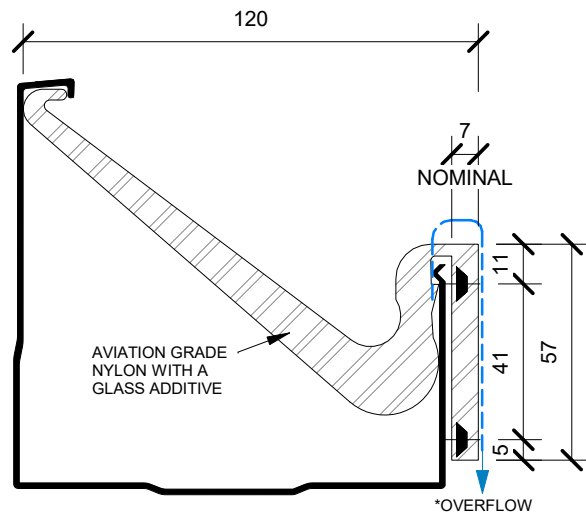
BACK OF EXTERNAL GUTTER NEEDS TO BE POSITIONED 10mm BELOW TOP OF FASCIA HEIGHT AND HAVE A GAP OF AT LEAST 10mm.

AS PER SECTION 5.3.2.3B OF THE NZ MRM COP.

MANUFACTURED IN WELLINGTON

TOTAL CROSS SECTIONAL AREA	6900mm ²
NETT OF FREEBOARD	5175mm ²
WETTED PERIMETER	205mm

TOTAL CROSS SECTIONAL AREA OF GUTTER ONLY TO BE USED WHEN INSTALLED WITH OVERFLOW (SEE TABLE)

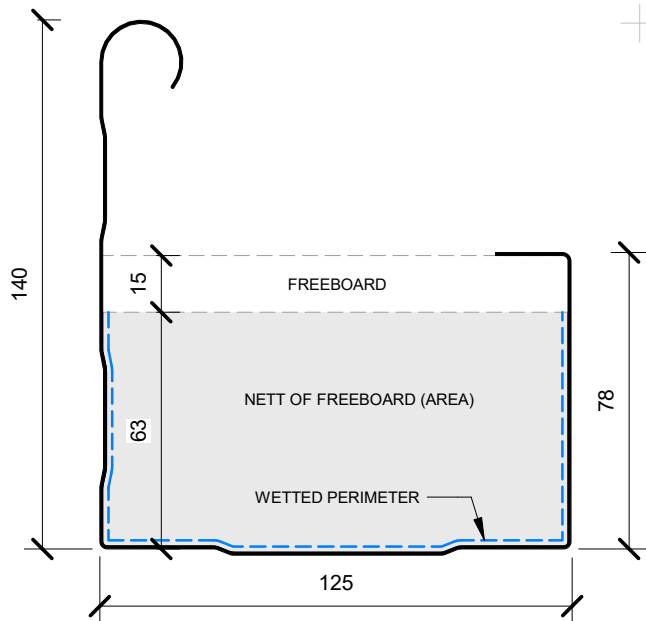


3D GUTTER BRACKET

BRACKET SPACINGS 750MM MAX EXCEPT FOR SNOW LOAD AREAS = 600MM MAX.

NOTES:

- ALL DIMENSIONS ARE NOMINAL AND MAY VARY WITH MATERIAL
- *THE OVERFLOW SHOULD HAVE ADEQUATE CAPACITY. THE OVERFLOW OF THE GUTTER NEEDS TO BE CONSIDERED WHEN DESIGNING AND INSTALLING THE METALCRAFT ROOFING GUTTER*



OVERFLOW WITH SOFFIT =

BACK OF EXTERNAL GUTTER NEEDS TO BE POSITIONED 10mm BELOW TOP OF FASCIA HEIGHT AND HAVE A GAP OF AT LEAST 3mm.

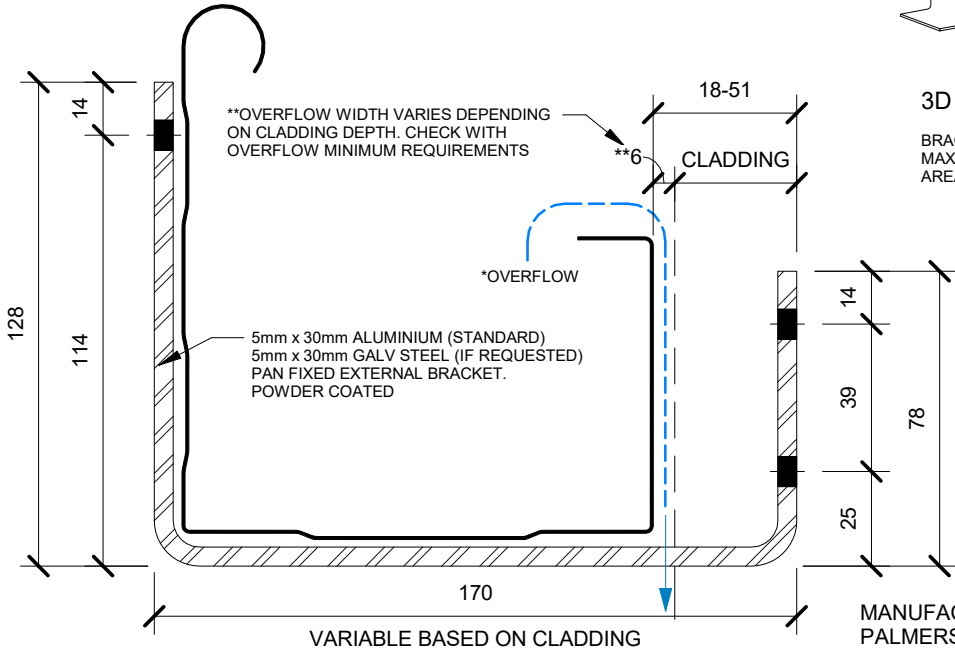
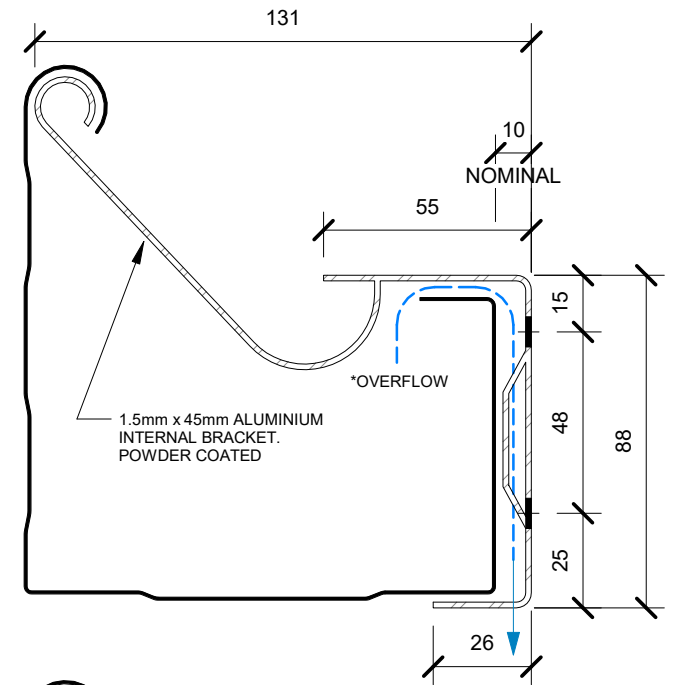
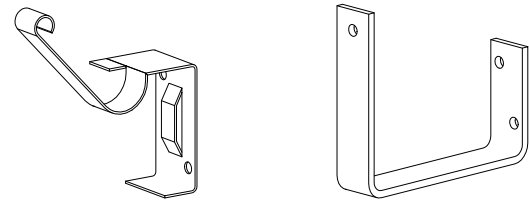
OVERFLOW WITH NO SOFFIT OVERHANG =

BACK OF EXTERNAL GUTTER NEEDS TO BE POSITIONED 10mm BELOW TOP OF FASCIA HEIGHT AND HAVE A GAP OF AT LEAST 10mm.

AS PER SECTION 5.3.2.3B OF THE NZ MRM COP.

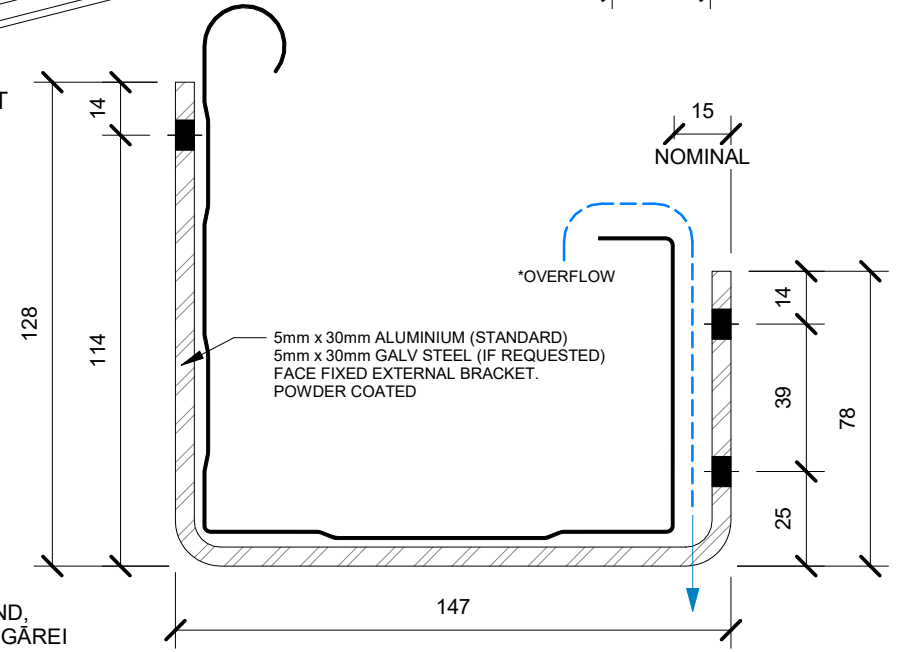
TOTAL CROSS SECTIONAL AREA	9750mm ²
NETT OF FREEBOARD	7875mm ²
WETTED PERIMETER	251mm

TOTAL CROSS SECTIONAL AREA OF GUTTER ONLY TO BE USED WHEN INSTALLED WITH OVERFLOW (SEE TABLE)



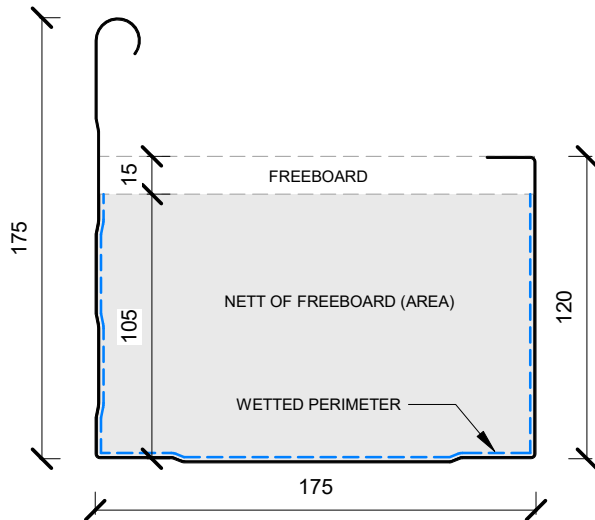
3D GUTTER BRACKET

BRACKET SPACINGS 750MM MAX EXCEPT FOR SNOW LOAD AREAS = 600MM MAX.



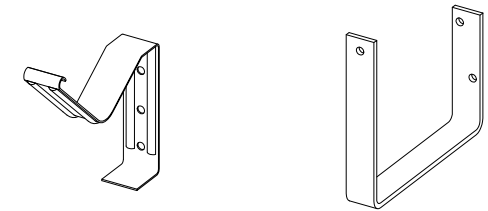
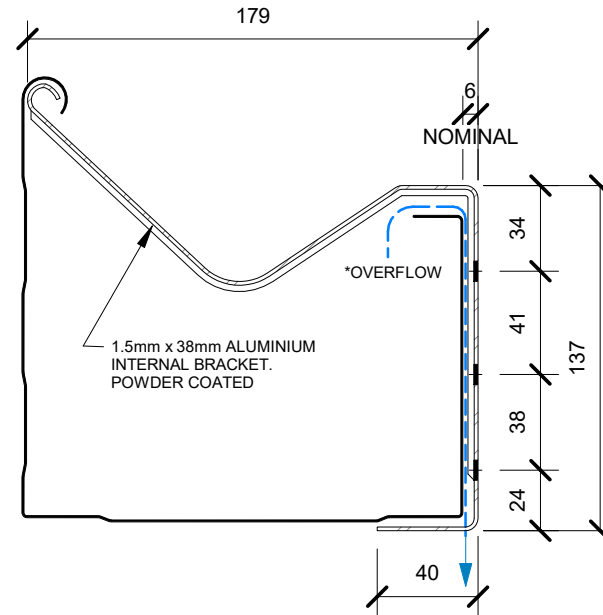
NOTES:

- ALL DIMENSIONS ARE NOMINAL AND MAY VARY WITH MATERIAL
- *THE OVERFLOW SHOULD HAVE ADEQUATE CAPACITY. THE OVERFLOW OF THE GUTTER NEEDS TO BE CONSIDERED WHEN DESIGNING AND INSTALLING THE METALCRAFT ROOFING GUTTER*



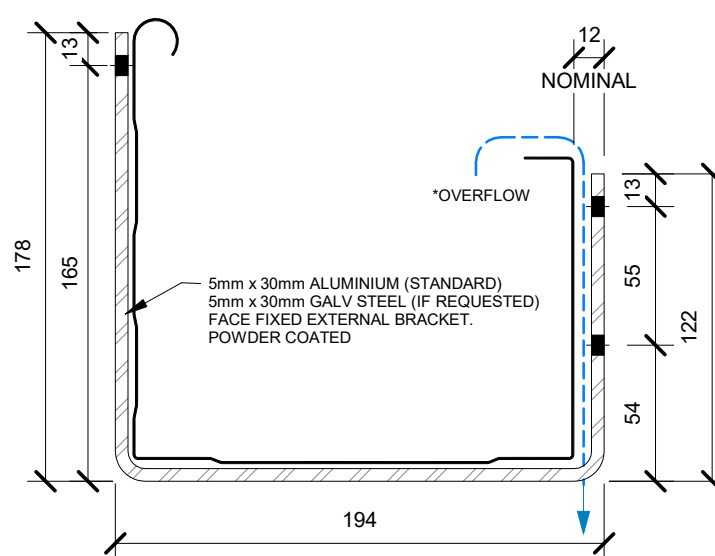
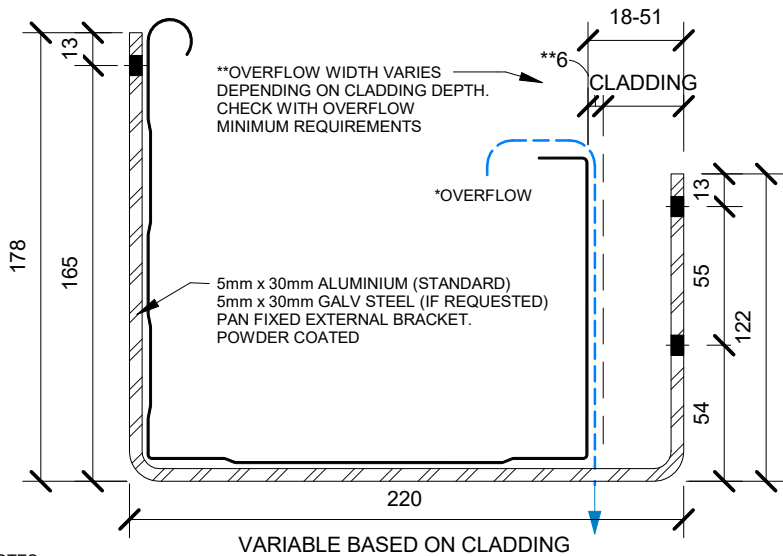
TOTAL CROSS SECTIONAL AREA	21000mm ²
NETT OF FREEBOARD	18375mm ²
WETTED PERIMETER	385mm

TOTAL CROSS SECTIONAL AREA OF GUTTER ONLY TO BE USED WHEN INSTALLED WITH OVERFLOW (SEE TABLE)



3D GUTTER BRACKET

BRACKET SPACINGS 750MM MAX EXCEPT FOR SNOW LOAD AREAS = 600MM MAX.



OVERFLOW WITH SOFFIT =

BACK OF EXTERNAL GUTTER NEEDS TO BE POSITIONED 10mm BELOW TOP OF FASCIA HEIGHT AND HAVE A GAP OF AT LEAST 3mm.

OVERFLOW WITH NO SOFFIT OVERHANG =

BACK OF EXTERNAL GUTTER NEEDS TO BE POSITIONED 10mm BELOW TOP OF FASCIA HEIGHT AND HAVE A GAP OF AT LEAST 10mm.

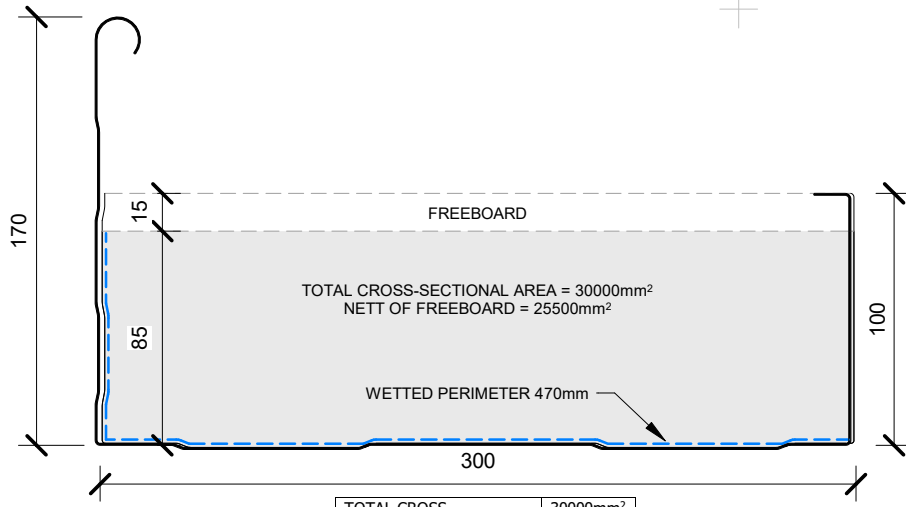
AS PER SECTION 5.3.2.3B OF THE NZ MRM COP.

MANUFACTURED IN AUCKLAND, PALMERSTON NORTH, CHRISTCHURCH

NOTES:

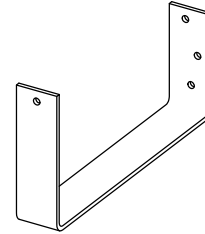
- ALL DIMENSIONS ARE NOMINAL AND MAY VARY WITH MATERIAL
- *THE OVERFLOW SHOULD HAVE ADEQUATE CAPACITY. THE OVERFLOW OF THE GUTTER NEEDS TO BE CONSIDERED WHEN DESIGNING AND INSTALLING THE METALCRAFT ROOFING GUTTER*

DISCLAIMER:
All details are to be used for indicative purposes only and the designer should consult both the MRM code of practice version 3.0 / 2022, E2 and all other relevant building codes
Details of the supporting mechanisms are indicative only. Compliance of the supporting mechanisms is the responsibility of the designer. Construction detail can vary for wall cladding. The underlay is detailed as a single line for simplicity and is indicative only. Building paper type and method of installation should comply with underlay manufacturers recommendations and NZBC regulations.



TOTAL CROSS SECTIONAL AREA	30000mm ²
NETT OF FREEBOARD	25500mm ²
WETTED PERIMETER	470mm

TOTAL CROSS SECTIONAL AREA OF GUTTER ONLY TO BE USED WHEN INSTALLED WITH OVERFLOW (SEE TABLE)



3D GUTTER BRACKET

BRACKET SPACINGS 750MM MAX EXCEPT FOR SNOW LOAD AREAS = 600MM MAX.

OVERFLOW WITH SOFFIT =

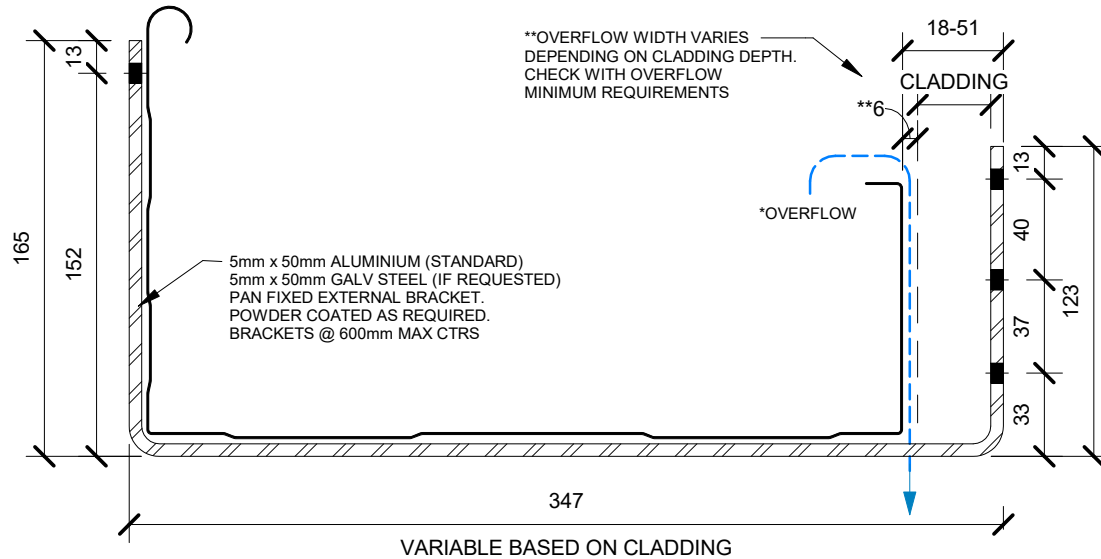
BACK OF EXTERNAL GUTTER NEEDS TO BE POSITIONED 10mm BELOW TOP OF FASCIA HEIGHT AND HAVE A GAP OF AT LEAST 3mm.

OVERFLOW WITH NO SOFFIT OVERHANG =

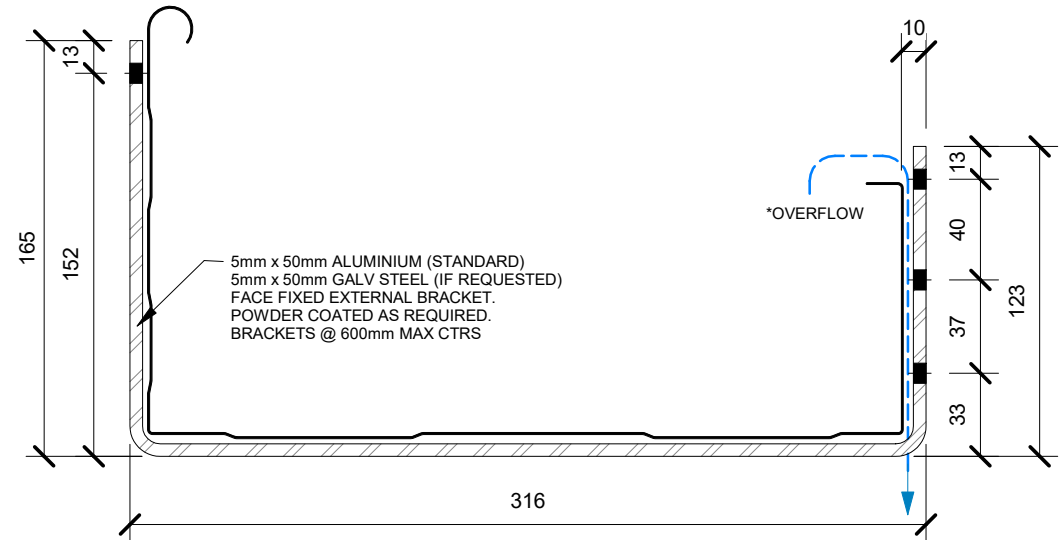
BACK OF EXTERNAL GUTTER NEEDS TO BE POSITIONED 10mm BELOW TOP OF FASCIA HEIGHT AND HAVE A GAP OF AT LEAST 10mm.

AS PER SECTION 5.3.2.3B OF THE NZ MRM COP.

MANUFACTURED IN AUCKLAND, PALMERSTON NORTH, CHRISTCHURCH



VARIABLE BASED ON CLADDING



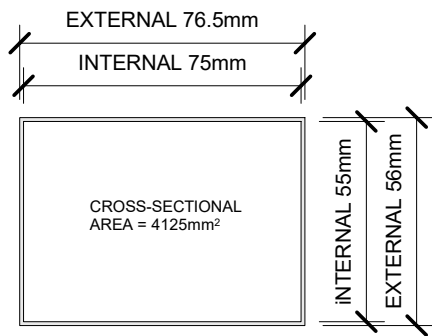
NOTES:

- ALL DIMENSIONS ARE NOMINAL AND MAY VARY WITH MATERIAL

- *THE OVERFLOW SHOULD HAVE ADEQUATE CAPACITY. THE OVERFLOW OF THE GUTTER NEEDS TO BE CONSIDERED WHEN DESIGNING AND INSTALLING THE METALCRAFT ROOFING GUTTER*

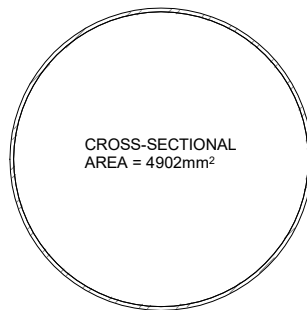
DISCLAIMER:

All details are to be used for indicative purposes only and the designer should consult both the MRM code of practice version 3.0 / 2022, E2 and all other relevant building codes. Details of the supporting mechanisms are indicative only. Compliance of the supporting mechanisms is the responsibility of the designer. Construction detail can vary for wall cladding. The underlay is detailed as a single line for simplicity and is indicative only. Building paper type and method of installation should comply with underlay manufacturers recommendations and NZBC regulations.



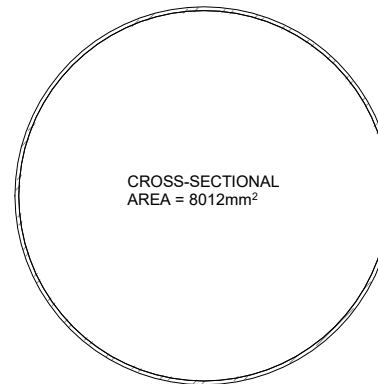
RECTANGULAR DOWNPIPE
INTERNAL - 75mmx55mm
EXTERNAL 76.5mmx56mm

RECTANGULAR DOWNPIPE
MANUFACTURED IN CHRISTCHURCH



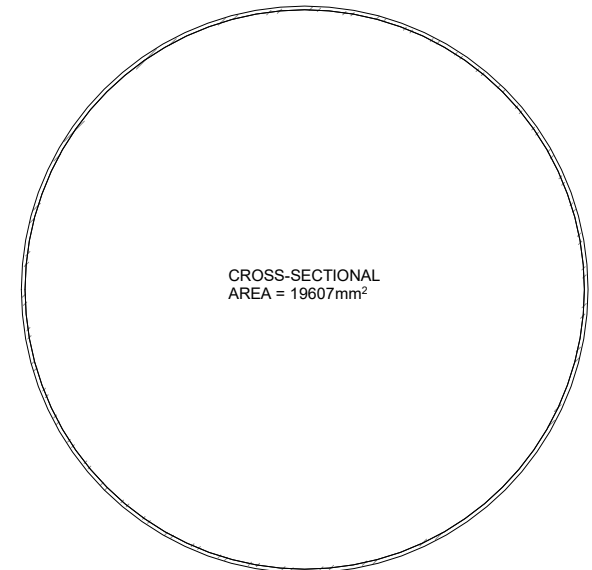
80mm
INTERNAL - 79mm
EXTERNAL - 81.5mm

ROUND DOWNPIPE 80mm
MANUFACTURED IN
CHRISTCHURCH, TAURANGA



100mm
INTERNAL - 101mm
EXTERNAL - 103mm

ROUND DOWNPIPE 100mm
MANUFACTURED IN
CHRISTCHURCH, TAURANGA



150mm
INTERNAL - 158mm
EXTERNAL - 159.5mm

ROUND DOWNPIPE 150mm
MANUFACTURED IN CHRISTCHURCH

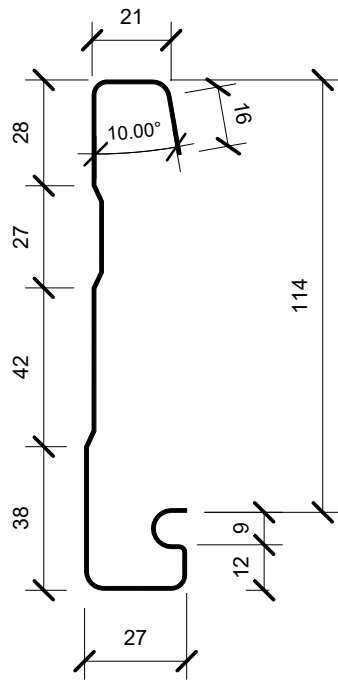
NOTES:

- ALL DIMENSIONS ARE NOMINAL AND MAY VARY WITH MATERIAL

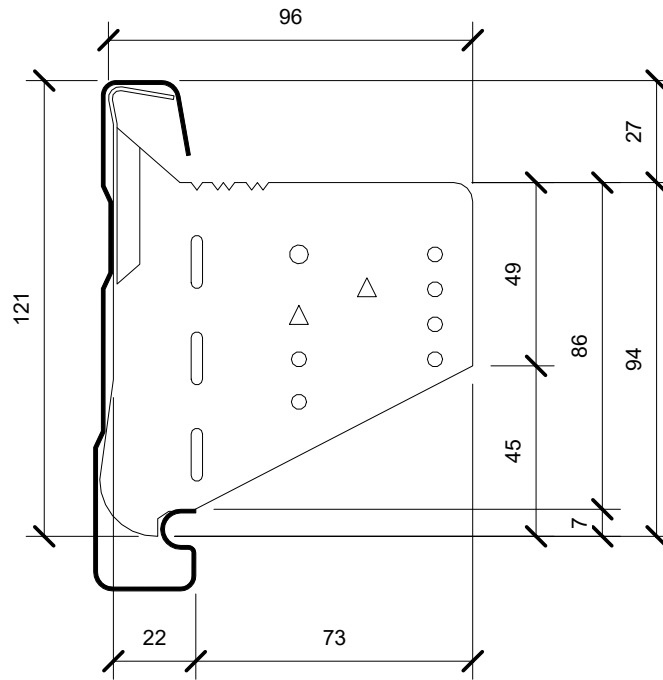
- *THE OVERFLOW SHOULD HAVE ADEQUATE CAPACITY. THE OVERFLOW OF THE GUTTER NEEDS TO BE CONSIDERED WHEN DESIGNING AND INSTALLING THE METALCRAFT ROOFING GUTTER*

DISCLAIMER:

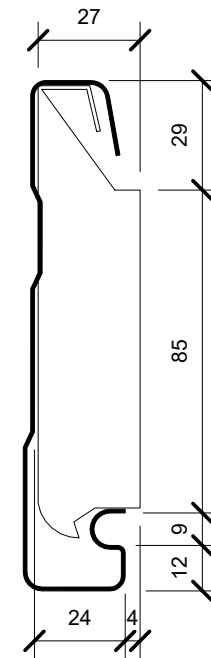
All details are to be used for indicative purposes only and the designer should consult both the MRM code of practice version 3.0 / 2022, E2 and all other relevant building codes
Details of the supporting mechanisms are indicative only. Compliance of the supporting mechanisms is the responsibility of the designer. Construction detail can vary for wall cladding. The underlay is detailed as a single line for simplicity and is indicative only. Building paper type and method of installation should comply with underlay manufacturers recommendations and NZBC regulations.



PROFILED DIMENTIONS

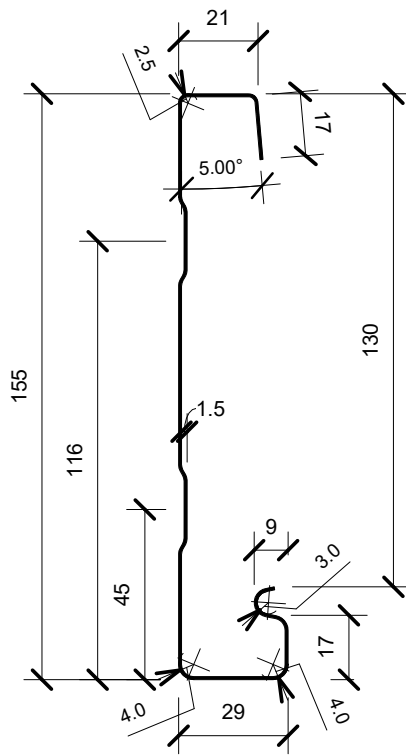


RAFTER BRACKET

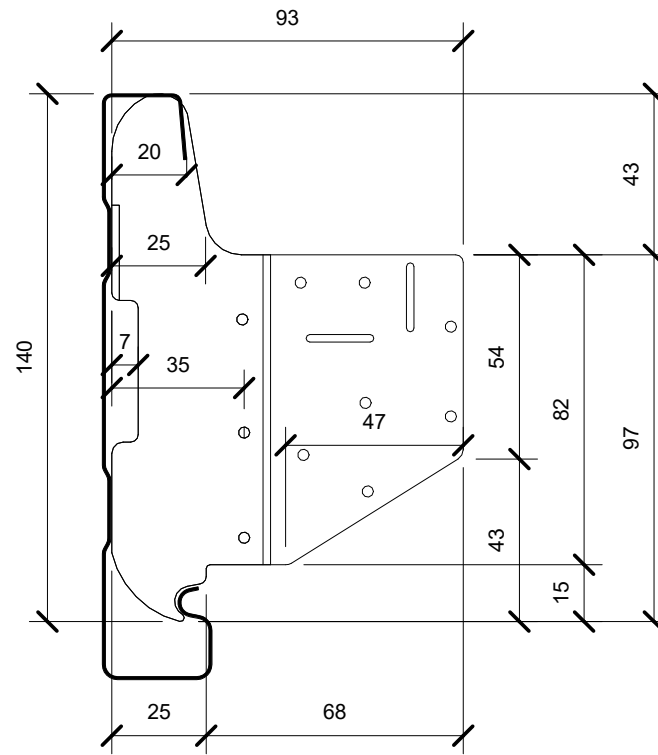


GABLE END BRACKET

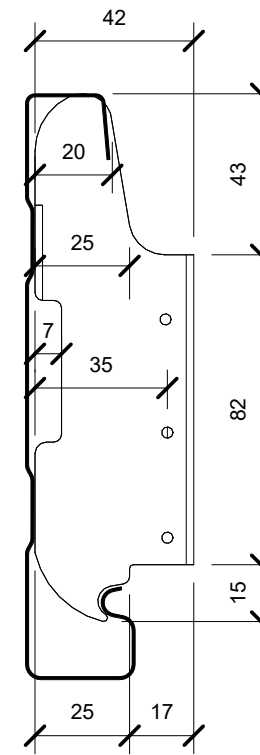
MANUFACTURED IN AUCKLAND



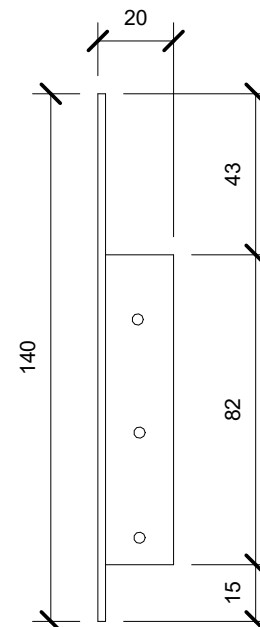
PROFILED DIMENTIONS



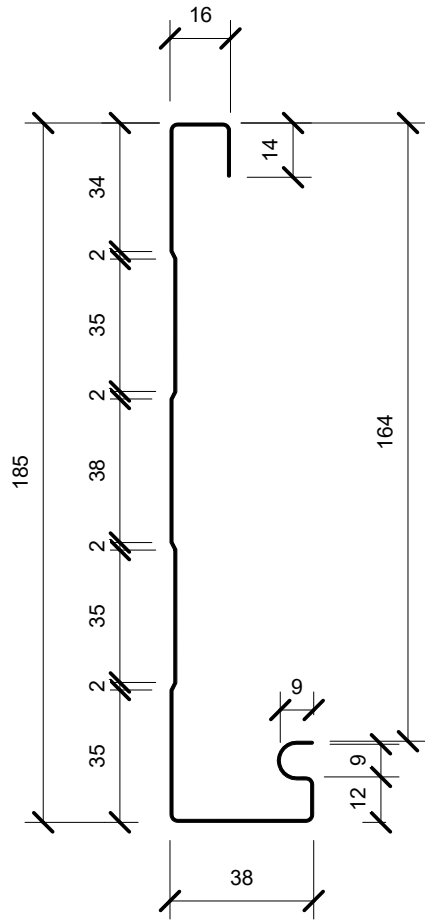
RAFTER BRACKET



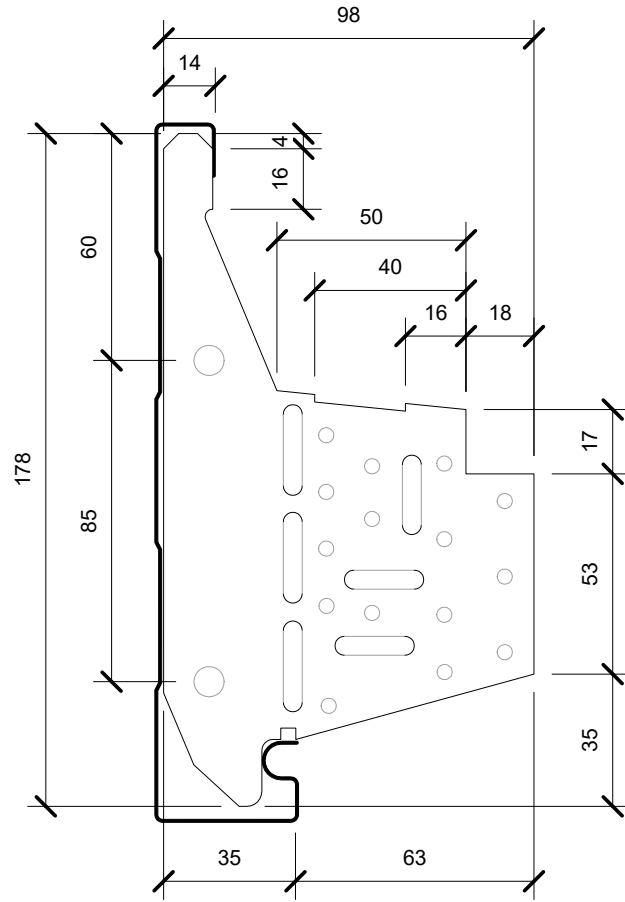
GABLE END BRACKET



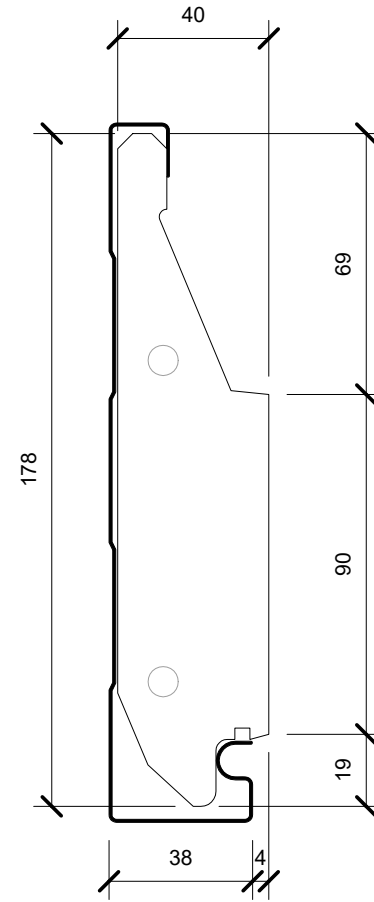
MANUFACTURED IN WELLINGTON, WHANGĀREI, TAURANGA



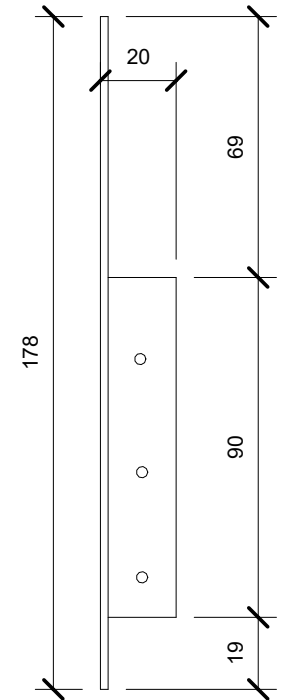
PROFILED DIMENTIONS



RAFTER BRACKET



GABLE END BRACKET



MANUFACTURED IN PALMERSTON NORTH, HAMILTON, CHRISTCHURCH, CROMWELL, NEW PLYMOUTH